

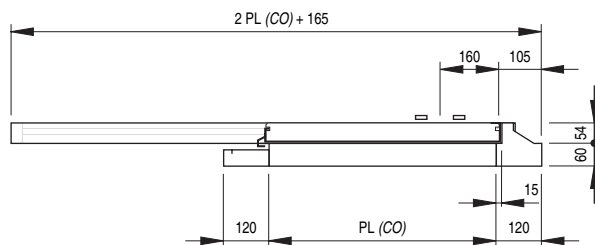
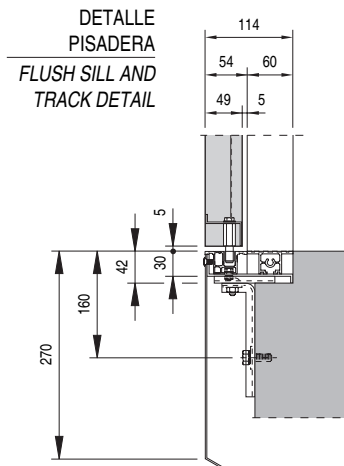
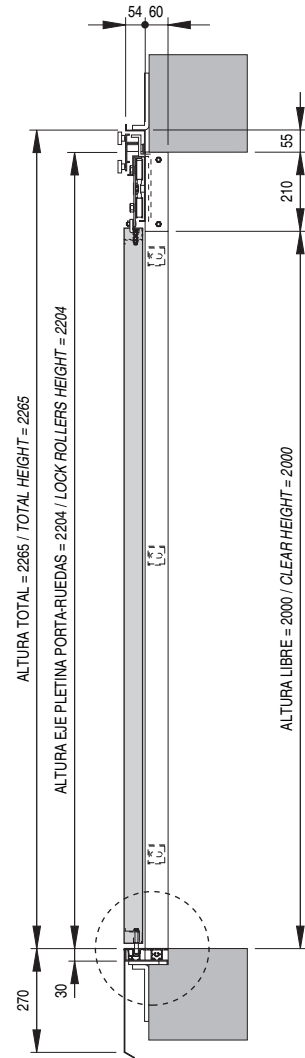
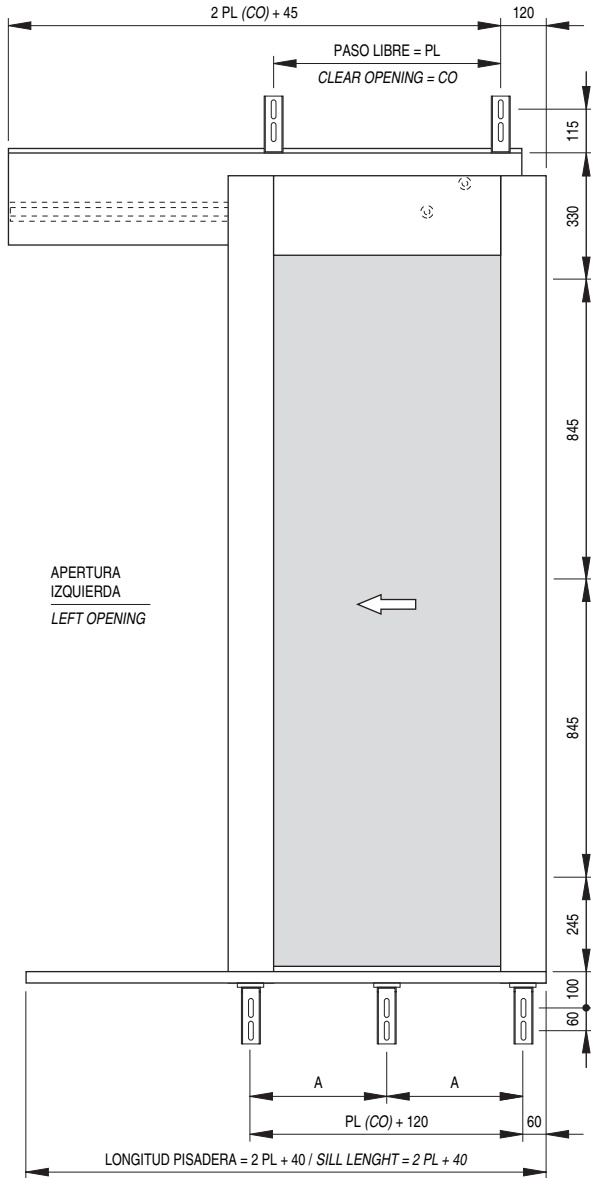
5.4.

PUERTA RELLANO LATERAL 1 HOJA 1 PANEL SIDE OPENING LANDING DOOR

50/11

Fermator
AUTOMATIC DOORS FOR LIFTS

5



PL / CO	600	650	700	750	800	850	900	1000	1100	1200	1300	1400	1500	1600
A	360	385	410	435	460	485	340	373	407	330	355	380	324	344
C	1300	1400	1500	1600	1700	1800	1900	2100	2300	2500	2700	2900	3100	3300
S	3	3	3	3	3	3	4	4	4	5	5	5	6	6
T	5	5	5	5	5	5	6	6	6	8	8	8	9	9

S: N°. de soportes en apoyo pisadera.

T: N°. de soportes total.

S: Number of supports for support track.

T: Total number of supports.