

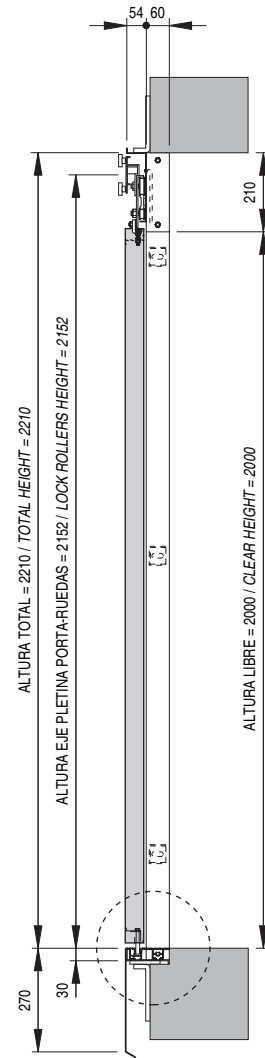
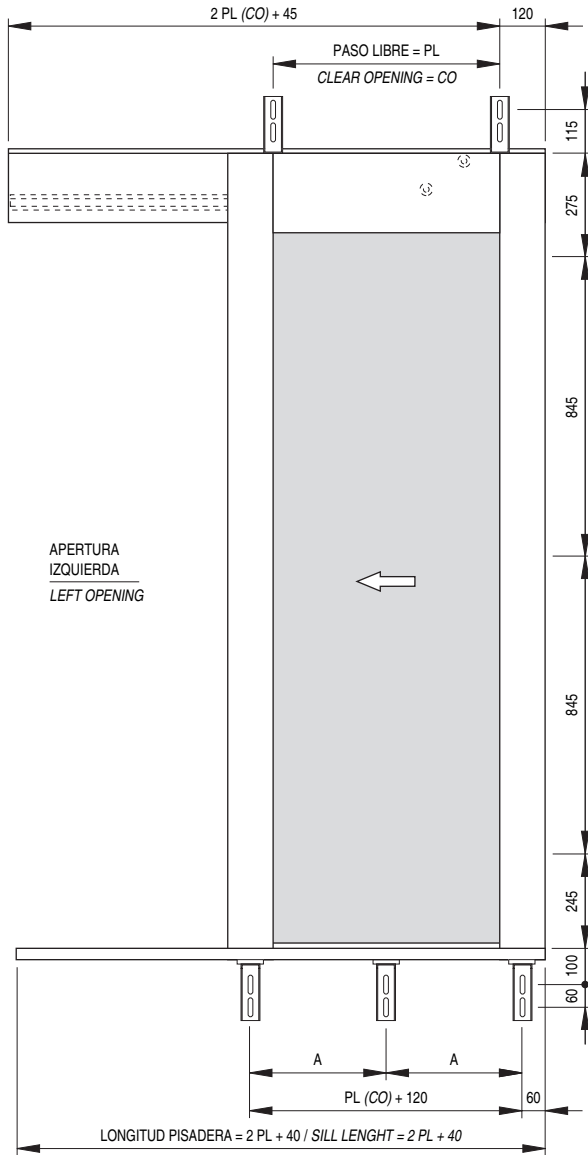
# 5.2.

## PUERTA RELLANO LATERAL 1 HOJA 1 PANEL SIDE OPENING LANDING DOOR

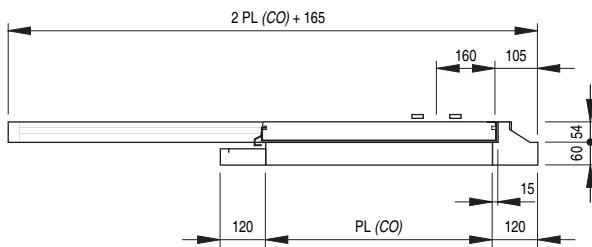
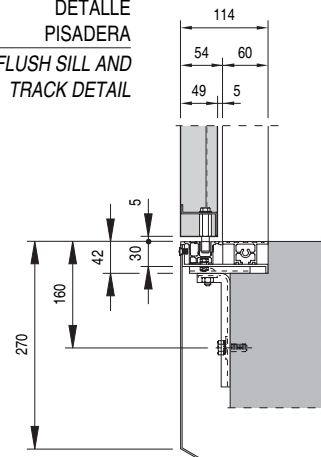
40/10

**Fermator**  
AUTOMATIC DOORS FOR LIFTS

5



DETALLE  
PISADERA  
FLUSH SILL AND  
TRACK DETAIL



PL / CO	600	650	700	750	800	850	900	1000	1100	1200	1300	1400
A	360	385	410	435	460	485	340	373	407	330	355	380
C	1300	1400	1500	1600	1700	1800	1900	2100	2300	2500	2700	2900
S	3	3	3	3	3	3	4	4	4	5	5	5
T	5	5	5	5	5	5	6	6	6	8	8	8

S: N°. de soportes en apoyo pisadera.  
S: Number of supports for support track.

T: N°. de soportes total.  
T: Total number of supports.