

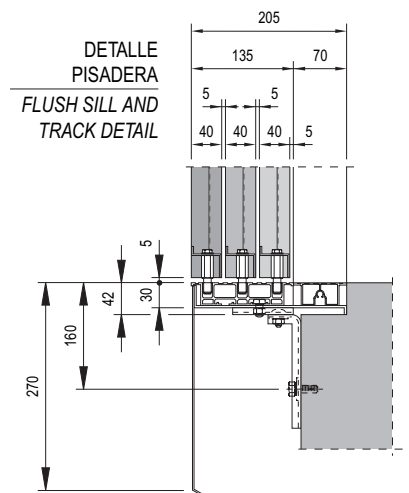
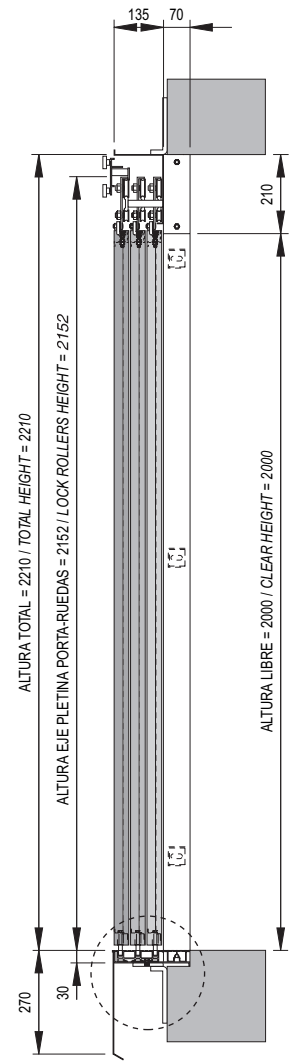
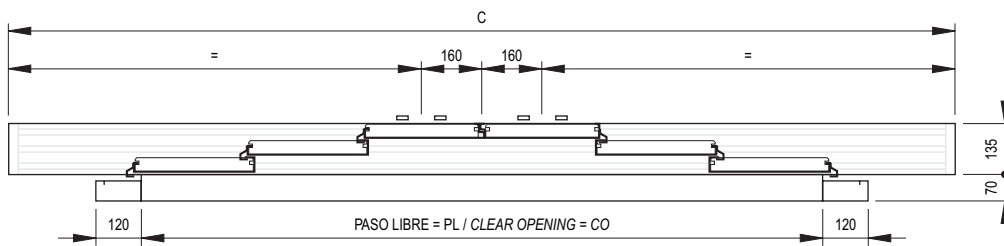
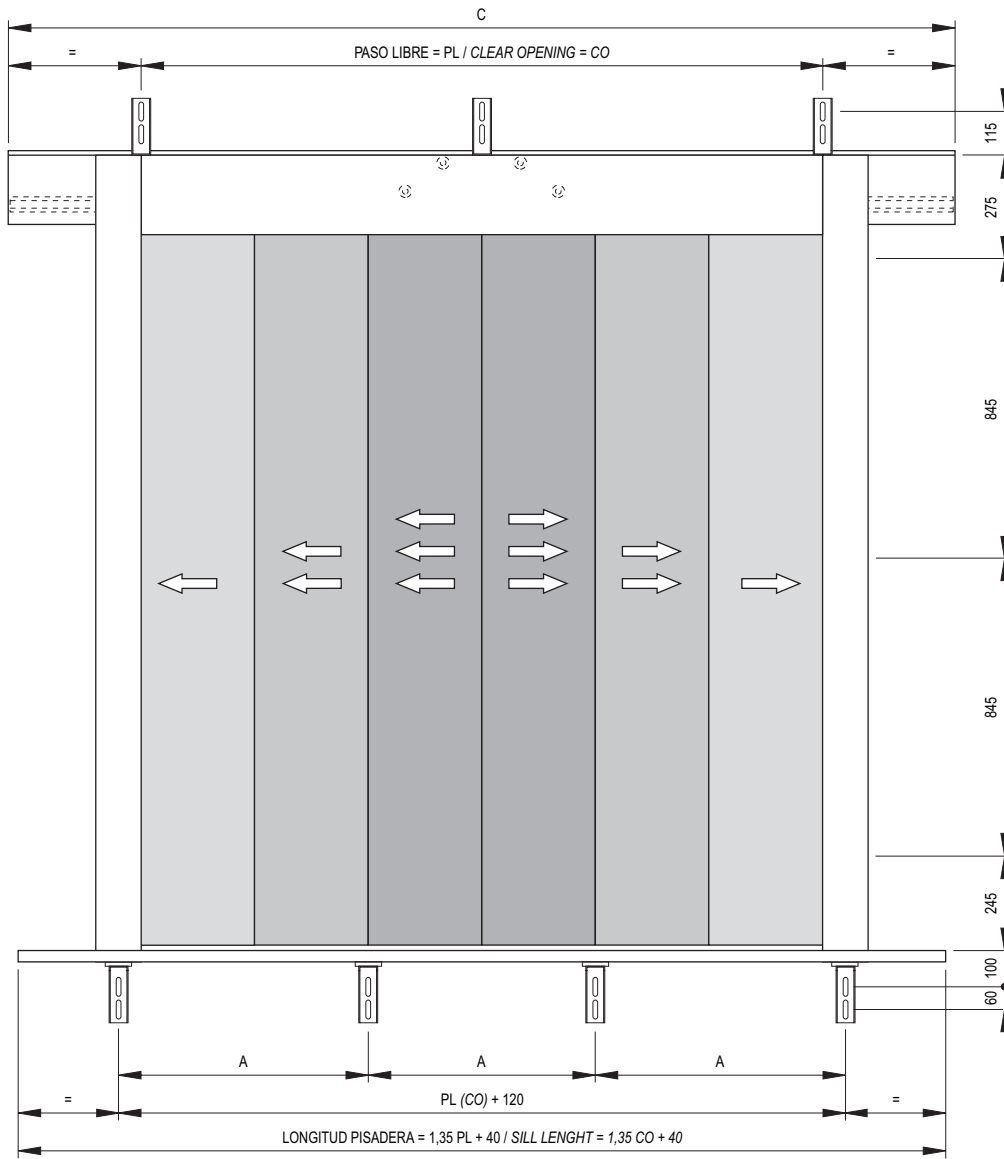
3.2.

PUERTA RELLANO CENTRAL 6 HOJAS 6 PANEL CENTRE PARTING LANDING DOOR

40/10

Fermator
AUTOMATIC DOORS FOR LIFTS

3



PL / CO	1200	1300	1400	1500	1600	1700	1800	1900	2000	2100	2200	2300	2400	2500	2600
A	330	355	380	324	344	364	384	404	353	370	387	403	360	374	340
C	1690	1824	1957	2090	2224	2357	2490	2624	2757	2890	3024	3157	3290	3424	3557
S	5	5	5	6	6	7	7	7	8	8	8	9	9	9	10
T	8	8	8	9	9	10	11	11	12	12	12	13	14	14	15

S: N°. de soportes en apoyo pisadera. T: N°. de soportes total.
S: Number of supports for support track. T: Total number of supports.